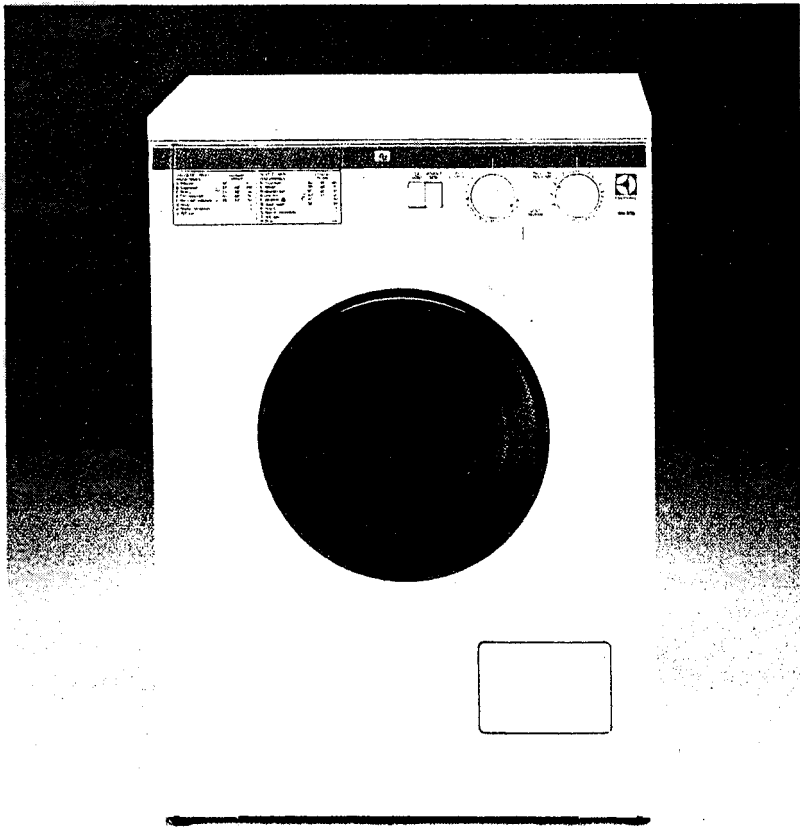




Electrolux

WASHING MACHINE WH838



User's Handbook

926.

WH818/WH838 WASHING MACHINE
CORRECTION TO USER'S HANDBOOK

The instruction books for these models state "when the economy control dial is set at the maximum 95°C position, your machine will automatically select the temperature indicated alongside each wash programme."

This is incorrect and should be read as follows:-

Page 9

3. ECONOMY CONTROL DIAL

Every time you select a wash programme it will be necessary to set this control to the temperature required as shown in the programme guide on the front of the detergent dispenser drawer. See also pages 11 to 14.

These programmes follow the International Textile Care Labelling Code (ITCLC) which is used for wash labels on garments and household linens as well as on washing powder packets, giving the maximum recommended washing temperature for the given type of fabric. For example:
Minimum iron 50° requires you to set the economy control to 50° as well as choosing programme M on the programme selector dial. To select the temperature press in the central grip and turn the dial to the chosen temperature.

It is important not to select a temperature above the maximum recommended, or fabric damage could be caused.

However, for wash loads with less than average soiling, you may wish to choose a lower temperature, with the consequent saving in electricity costs. If this is the case, we suggest you turn the Economy Control dial to the temperature indicated in the ECONOMY option column found on the Programme Guide.

Page 15

The last sentence should read:

For biological stains e.g. blood, grass don't forget the superwash programme.



Important User Information

IT IS MOST IMPORTANT THAT THIS INSTRUCTION BOOK SHOULD BE RETAINED WITH THE APPLIANCE FOR FUTURE REFERENCE. SHOULD THE APPLIANCE BE SOLD OR TRANSFERRED TO ANOTHER OWNER, OR SHOULD YOU MOVE HOUSE AND LEAVE THE APPLIANCE, ALWAYS ENSURE THAT THE BOOK IS SUPPLIED WITH THE APPLIANCE IN ORDER THAT THE NEW OWNER CAN BE ACQUAINTED WITH THE FUNCTIONING OF THE APPLIANCE AND THE RELEVANT WARNINGS.

PLEASE ENSURE THAT YOU HAVE READ THE WHOLE INSTRUCTION BOOK BEFORE USING THE APPLIANCE AND THAT YOU FOLLOW THE RECOMMENDATIONS GIVEN. THESE WARNINGS ARE PROVIDED IN THE INTEREST OF SAFETY. YOU MUST READ THEM CAREFULLY BEFORE INSTALLING OR USING THE APPLIANCE.

- This appliance is designed to be operated by adults. Children should not be allowed to tamper with the controls or play with the product.
- It is dangerous to alter the specifications or attempt to modify this product in any way.
- Any electrical work required to install this appliance should be carried out by a qualified electrician.
- Any plumbing work required to install this appliance should be carried out by a qualified plumber.
- This product should be serviced by an authorised Electrolux Service Centre, and only genuine Electrolux spare parts must be used.
- Care must be taken to ensure that the appliance does not stand on the electrical supply cable.
- Always unplug the appliance and turn off the water after use.
- This appliance is heavy. Care should be taken when moving it.
- All packing and transit bolts must be removed before use. Serious damage can occur to the product and to property if this is not adhered to. See relevant section in instructions.
- Do not overload the appliance. See relevant section in instruction book.
- Only wash fabrics which are designed to be machine washed. If in doubt, consult the manufacturer of that item.
- Before washing, ensure that all pockets are empty and buttons and zips are fastened. Avoid washing frayed or torn articles and treat stains such as paint, ink, rust and grass. Underwired bras must not be machine washed.
- Any objects such as coins, safety pins, nails, screws, stones or any other hard, sharp material can cause extensive damage and must not be placed into the appliance.
- Garments which are saturated with petroleum products should not be machine washed. If volatile cleaning fluids are used, care should be taken to ensure that the fluid is removed from the garment before placing in the machine.
- Wash small items such as socks, laces, washable belts, etc. in a washing bag or pillow case as it is possible for such items to slip down between the tub and inner drum.
- Only use the advised quantities of fabric softener. Damage to the fabric can ensue if you over-fill. Refer to the manufacturers' recommendations of quantities.

- Pets have been known to climb into washing machines. Please check your drum before use.
- Under no circumstances should you attempt to repair the machine yourself. Repairs carried out by inexperienced persons may cause injury or more serious malfunctioning. Contact your local Electrolux Centre. Always insist on genuine spare parts.
- This machine should not be used for any purpose other than the washing of machine washable fabrics in a solution of water and a low suds detergent. Do not connect to a mixer tap, or water heater.
- Always ensure that the water taps are switched on to the machine before starting a wash.
- There is no water draining after the last rinse for the gentle wash cycles. Always ensure that the dial is turned to T to drain and spin or turn to U to drain without spinning. Do not open the door until one of the drain programmes has been completed. If you do there will be a flood.
- Use a low lather powder.
- Close the dispenser drawer gently before switching the machine on. Do not open the dispenser drawer whilst the machine is in operation.
- Do not remove the filter for cleaning when the machine is in operation.
- If a stacking kit is used the instructions should be followed closely.
- The connector at the free end of the inlet hose should not be removed or replaced with an alternative connector.
- The inlet hose should not be cut in order to change the length.
- When disposing of your washing machine please remove the door to avoid an accident to children or animals being trapped.

Welcome to the family of Electrolux users. This booklet not only tells you how to operate your new Electrolux automatic washing machine, but also contains a number of helpful tips on how to get the best results. **SO PLEASE READ IT THROUGH CAREFULLY BEFORE YOUR FIRST WASH. IT ALSO INCLUDES AN IMPORTANT CHECKLIST OF WHAT TO DO SHOULD A FAULT OCCUR, PLUS A LIST OF ELECTROLUX SERVICE CENTRES WHERE SERVICE CAN BE OBTAINED IF NEEDED.** Before requesting service please check whether your problem is covered on page 24 under 'Servicing' and that you are operating the machine according to the instructions. If our engineer finds that the problem is due to misuse or incorrect installation you may be charged for his visit even though your machine is under guarantee.

Contents

Page	
5	Specification
6	About your washing machine
8	Electrical information
9-10	The controls and how to use them
11-14	Washing programme
15-18	Using your machine
19	Additional programmes
20-21	Looking after your machine
22-23	Helpful tips
24	Servicing
25	Service Centres
26	Guarantee

Specifications

Dimensions		Motor rating	
Height	850mm 33.5"	Wash	430W
Width	600mm 23.6"	Spin	450/650W
Depth	550mm 21.6"	Voltage	220/240V
Weight	74kg 163lb	Frequency	50Hz
Capacity (max. load Cottons)	4.5kg 10lb	Water load	13 litres 2.9 gallons
Spin Speeds	800/400	Normal	20 litres 4.4 gallons
Power consumed	2730W	High	
Heater Rating	2300W	Pressure psi	
		Maximum	110
		Minimum(hot)	4
		Minimum(cold)	7

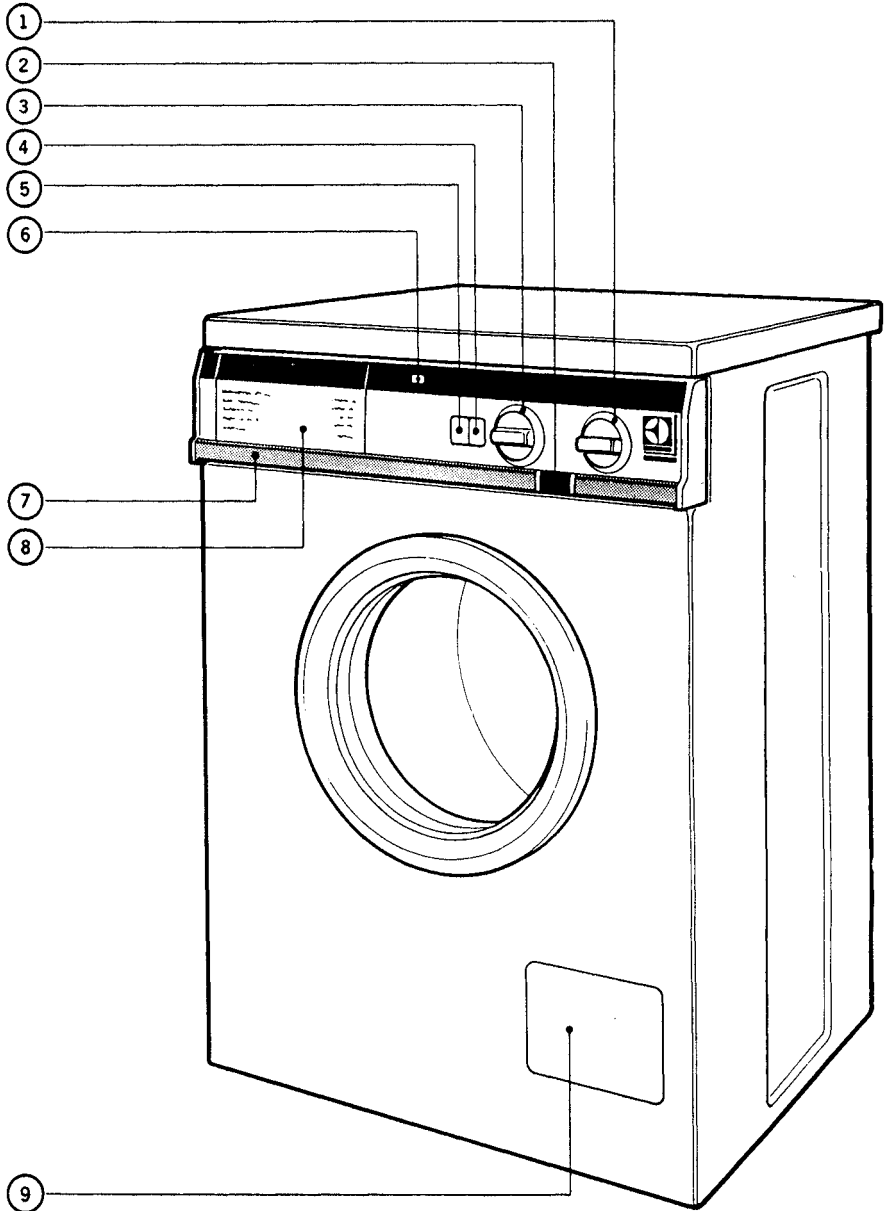
About your washing machine

Your new Electrolux washing machine has a selection of programmes to suit all your washing needs. In order to meet the requirements of our increasingly energy-conscious environment, we've designed a machine which allows you to satisfy the conflicting demands of heavy soil washing and the need for economy in electricity costs - and to make the best use of low temperature washing powders such as **New System Persil Automatic**.

The **ECONOMY CONTROL** function allows you the option to reduce the temperature on all wash programmes giving you greater flexibility and, of course, savings in electricity costs.

For the best results, it's important that you read all the contents of this book before you use your new washing machine.

- ① Programme Selector dial and ON-OFF control
- ② Door release button
- ③ Economy Control dial
- ④ Variable Spin button
- ⑤ Half-load button
- ⑥ ON/OFF indicator
- ⑦ Detergent Dispenser
- ⑧ Programme Guide
- ⑨ Pump filter (behind flap cover)



Electrical Information

Connecting to the mains

Before you use your washing machine check that the voltage shown on the data plate conforms with your mains supply.

The mains lead of the washing machine is fitted with a non-rewireable moulded-on 13 amp plug containing a 13 amp fuse. In the event of the fuse requiring replacement, the fuse cover/carrier should be removed, using a small screw driver to lever it out. The old fuse should be replaced by a 13 amp ASTA approved BS1362 fuse and the fuse cover/carrier **must** be refitted before the plug is used again.

If the fuse cover/carrier is lost, a replacement can be obtained from the Electrolux Service Centres listed on page 25. The fuse cover/carrier must be of the same colour as that of the coloured insert in the base of the plug. **In no circumstances must the plug be used without a correct fuse cover/carrier fitted.**

If the plug supplied on the mains lead is not suitable for the socket outlet in your home it should be cut off and disposed of safely, or destroyed, to avoid any possible shock hazard resulting from the plug being inserted into a 13 amp socket elsewhere in the house. A suitable replacement plug should be fitted (as shown opposite). If a 13 amp plug and socket are not used, the circuit supplying the washing machine should contain a 15 amp fuse.

However, we recommend that this operation be carried out by a member of the Electrolux Service Organisation or a qualified electrician.

WARNING - THIS APPLIANCE MUST BE EARTHED.

IMPORTANT

The wires in the mains lead of this appliance are coloured in accordance with the following code:-

GREEN-and-YELLOW : EARTH
BLUE : NEUTRAL
BROWN : LIVE

As the colours of the wires in the mains lead may not correspond with the coloured markings identifying the terminals in your plug, proceed as follows:-
Connect the GREEN-and-YELLOW coloured wire to the plug terminal marked letter E or earth symbol \perp or coloured green or green-and-yellow.
Connect the BROWN coloured wire to the plug terminal marked letter L or coloured red.
Connect the BLUE coloured wire to the plug terminal marked letter N or coloured black.

As a general guide to fitting any plug

Ensure the lengths of wire inside the plug are prepared correctly.

Connections should be firmly made after all conductor strands are entered into the terminal posts.

When preparing the cable ends take care not to damage the outer sheath, or the insulation surrounding the inner conductors.

Tighten all screws.

Replace the top cover of the plug and secure.

Extension Cord

If using an extension cord at any time always ensure that the insulation sheath is in good condition and is not damaged in any way.

Make sure that the socket is fitted to the extension cable correctly, if in doubt have it checked by a qualified electrician.

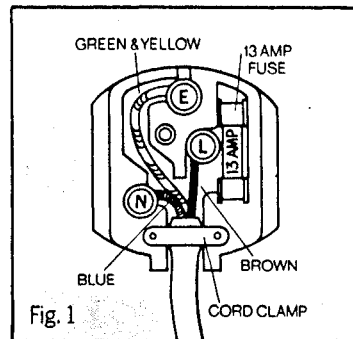


Fig. 1

The controls and how to use them

1. Programme Selector dial and ON/OFF knob

The programme selector dial is marked with letters corresponding to those on the chart. To set the machine to the correct programme (see programme chart and table on pages 11 to 14), press in the central grip to engage the dial and turn the dial clockwise until the letter you want coincides exactly with the pointer. Never attempt to turn the control dial in an anti-clockwise direction.

Do not turn the programme selector dial when the machine is in operation (indicator lamp "on"). To start the machine, pull out the central grip. If the central grip does not come out easily check that the pointer is in line with the selected letter - if it is not, reset the dial.

To stop the machine during a cycle, push the central grip in. At the end of the programme the machine will stop automatically. The indicator lamp will go out automatically after the washing programme has finished.


2. Door Release Button

Press this to unlock and open the door. Your washing machine has a safety lock which prevents the door being opened whilst the machine is in operation. You must wait 1-2 minutes after the end of the programme before you can open the door.

If it is necessary to interrupt a programme to open the door, first switch off the machine by pressing in the central grip, then set the programme selector dial to DRAIN, and switch the machine on again. After draining the programme will advance to an OFF position, and a short time delay will occur before the door can be opened. At the end of the synthetics programme the washing remains suspended in water. Turn the programme selector dial to spin (T) or drain (U) before opening the door.

3. Economy Control dial

When this control is set at the maximum 95°C position, your machine will AUTOMATICALLY

select the temperature indicated in the washtub symbol (i.e. ) shown alongside each wash programme.

These programmes follow the International Textile Care Labelling Code (ITCLC) which is used for wash labels on garments and household linen as well as on washing powder packets, giving the maximum recommended washing temperature for the given type of fabric

However, for wash loads with less than average soiling, you may wish to choose a lower temperature, with the consequent saving in electricity costs. If this is the case, we suggest you turn the Economy Control dial to the temperature indicated in the ECONOMY option column found on the Programme Guide.

To select a lower temperature press in the central grip and turn the dial to the chosen temperature. As you gain experience with your machine, you may choose even lower wash temperatures. Feel free to experiment with lower wash temperatures on any programme and assess the results for yourself.

Please note that there is a built-in safety device which prevents the machine from selecting a higher temperature than is recommended by the ITCLC code. If, for instance, you select N Delicate programme (ITCLC 40°) and inadvertently leave the dial on 60°, the machine will recognise that 40° is the maximum temperature for programme N and will ignore your selection - so the ECONOMY CONTROL function can only be used to reduce the temperature of wash programmes - never increase.

At the end of the programme, it is advisable to return the ECONOMY CONTROL dial to the 95° position, where the machine will carry out the standard ITCLC wash programmes as indicated. With this choice of washing temperatures you can make the best use of low temperature washing powders and achieve savings in your electricity costs.

4. Variable Spin button

This button allows the spin speed of the cotton and linen programmes to be reduced from 800 rpm to 400 rpm.

We recommend that you use this feature when washing items with special trimmings (i.e. fringes, lace, etc) or items that are particularly worn.

To use this feature, simply press in the variable spin button after selecting the programme required.

5. Half-load button

By pressing this before selecting a wash programme, the intake of water is reduced. This is useful if you want to wash half loads, 2kg (4 1/2lb) instead of the usual 4.5kg (10lb) of cotton or linen items.

By reducing the water consumption you will also use less electricity.

The half load programme is not suitable for synthetic or mixed fabrics, delicate articles or wool. These fabrics all need a high water level to avoid creasing.

6. ON/OFF Indicator

The ON/OFF indicator lights up when the central grip of the programme selector dial is pulled out and the machine is switched on.

7. Detergent Dispenser

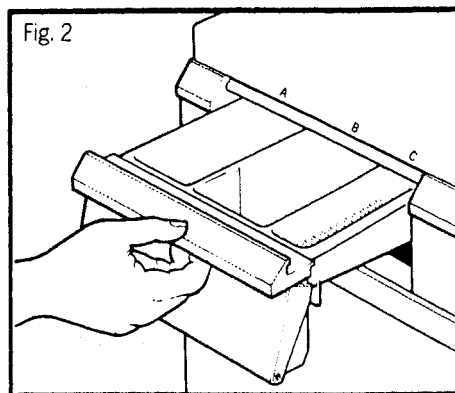
To open the dispenser, press the Programme Guide on the front panel and pull on the lip of the drawer.

The dispenser has three compartments - (a) for prewash powder, (b) for main wash powder and (c) for fabric conditioner (see figure 2).

The fabric conditioner compartment is fitted with a removable filter for easy cleaning.

8. Programme Guide

This guide will help you to select the correct wash programme. The letter and temperatures correspond to those used in the detailed charts on pages 11 to 14.



9. Pump filter

This is located behind the hinged flap situated on the lower right hand side of your washing machine. It will need cleaning from time to time (see page 20).

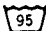



The washing programme

The washing machine has 18 programmes and other additional options such as "rinse" or "spin only" (see charts pages 11 to 14). Each washing programme is designed for a specific type of fabric, for example cotton, nylon, mixed fabrics such as polycotton, etc. They follow the International Textile Care Labelling Code (ITCLC) which is used for wash labels on garments and household linen as well as on washing powder packets. This makes it simple to choose the right programme for the fabric you are washing. The wash cycles for robust fabrics (B to F) are completely automatic, taking the clothes through washing, rinsing, spinning and draining.

The wash cycles K to Q are for minimum iron, drip dry and delicate fabrics. The machine stops after the last rinse before draining and spinning. The clothes are left suspended in water to prevent them becoming creased by remaining in the bottom of the wash tub in a damp state. To complete the cycle, turn the programme selector dial to T for water draining followed by a short spin, or to cycle U for drain only if you are washing drip dry articles.

Cottons and Linens wash cycle

For cotton, linen and viscose (rayon) fabrics
Recommended wash load: 4.5kg (10lb) max

Wash cycle Position of programme selector	Dispenser compartments		Economy option	Wash cycle description and fabric guide
	a washing powder	b c fabric conditioner		
A Prewash	a			Cottons and linens. Prewash in water at 40°C (normal level) followed by a soaking phase - the laundry is left soaking in water. To drain the water, turn the programme selector knob to cycle T (drain with a gentle spin) or U (drain only).
B Superwash 	a b	c	60'	White cottons and linens without special finishes. Prewash in water at 40°C (normal level) Main wash in water at 95°C (normal level) 4 cold water rinses (high level). Spinning.
C Whites 	b	c	60'	White cottons and linens without special finishes. Main wash 95°C (normal level). 4 cold water rinses (high level). Spinning.
D Fast Coloureds 	b	c	40'	Cottons, linens and viscose. Main wash in water at 60°C (normal level). 4 cold water rinses (high level). Spinning.
F Non-fast Coloureds 	b	c	30'	Cottons, linens and viscose. Main wash in water at 40°C (normal level). 4 cold water rinses (high level). Spinning.

Wash cycle Position of programme selector	Dispenser compartments a b c washing powder fabric conditioner	Economy option	Wash cycle description and fabric guide
G Rinses	c		Cottons, linens and viscose. 4 cold water rinses (high level). Spinning.
H Special treatments	c		Cottons, linens and viscose. Intake of water mixed with liquid additive such as fabric conditioner (high level). Special treatments. Spinning.
J* Spin only			Spinning for about 6 minutes with simultaneous water draining. This is preceded by slow rotations of the drum. Max. 800 r.p.m.





*Important - when selecting this programme ensure that the selector dial is accurately lined up with the programme letter "J". This is because the spin cycle has to be preceded by a slow drum rotation to enable spin start up.

Water filling
 Programme C - hot water filling only
 Programmes D-L - hot and cold filling
 All other programmes - cold water filling only.

Delicates and Synthetics wash cycle

For delicates, synthetics including acrylics, acetates, triacetates, machine-washable woollens and synthetics mixed with polyester and wool.

Recommended wash load : 1.5 - 2kg (3-5lb);
wool max: 1kg (2lb)

Wash cycle Position of programme selector	Dispenser compartments		Economy option	Wash cycle description and fabric guide
	a washing powder	b c fabric conditioner		
K Superwash	b	c	40°	White nylon and polyester cotton mixtures Prewash in water at 40°C (high level) Main wash in water at 95°C (high level). 3 cold water rinses (high level).
L Whites	b	c	40°	White nylon and polyester/cotton mixtures. Main wash in water at 60°C (high level). 3 cold water rinses (high level).
M Minimum Iron 	b	c	40°	Coloured synthetics and mixed fabrics. Main wash in water at 50°C (high level). 3 cold water rinses (high level).
N Delicates 	b	c	30°	Acrylics, acetates, triacetates and wool mixtures. Main wash in water at 40°C (high level). 3 cold water rinses (high level).
P Woollens  	b	c		Machine washable woollens and mixtures with cotton or viscose; blankets. Main wash in water at 40°C (high level). 3 cold water rinses (high level). Short spin.

Wash cycle Position of programme selector	Dispenser compartments a b washing powder	c fabric conditioner	Economy option	Wash cycle description and fabric guide
Q Quickwash	b	c		Delicates lightly soiled. Main wash in water at 30°C (high level). 3 cold water rinses (high level).
R Rinses		c		3 cold water rinses (high level). Short spin.
S Special Treatment		c		Intake of water mixed with liquid additive (high level). Short spin.
T Short Spin only				Water draining followed by a short spin. Maximum 400 r.p.m.
U Drain				Water draining with a steady drum.

Note: There is no water draining after the last rinse for the delicate and synthetic wash cycles. This prevents the clothes from creasing if they are left in the machine at the end of the wash cycle. The clothes are held suspended in water until you turn the programme selector dial to **T** when the water will be drained and the clothes will be given a gentle spin. Or the programme selector dial can be turned to **U** when the water will drain away without spinning.

Warning:
Do not open the machine door until one of the draining programmes **T** or **U** has been completed. If you do, there will be a flood.

Important
If both water fill hoses are connected to cold water, programmes **C** and **L** will not start. To operate programme **C**, turn the programme selector dial to the dash (') following the letter. To operate programme **L**, turn the programme selector dial to the dash (') preceding the letter.
The programmes will then operate as normal.

Using your machine

Sorting the wash

Sort the clothes and household linen according to fabric, colour fastness and degree of soiling, following the charts on pages 11 to 14.

Check with the wash care label sewn to the garment or articles; this should have a temperature in a wash tub symbol which corresponds with the programmes shown on the charts. For example, if your sheets have a label with 95 in the wash tub you can choose either programme **B** or **C** depending on whether the articles are lightly or heavily soiled. Remember that when you select the SUPERWASH programme, you can choose a lower temperature by adjusting the ECONOMY CONTROL dial. If the garment has no label, choose the appropriate programme for the fabric. If you are uncertain what fabric this is, always choose one of the gentle wash cycles such as **N** or **Q**. Be cautious with coloured items unless they are labelled colourfast, wash them separately by hand, or use the programme for non-fast coloureds.

For the best results wash a full load.

4.5kg (10lb) of cottons
1.5-2kg (3-5lb) synthetics
1kg (2lb) machine washable woollens.

Until you are familiar with the size of a full load, weigh the articles on the kitchen or bathroom scales. Try to mix large and small items in each load. If you cannot make up a full load of similar items (e.g. cotton sheets and towels) make up a load of any polycotton and cotton items, and use one of the lower temperature washes **M** (50°C). Remember, however, that white cotton and linen should be washed at a higher temperature (95°C) every third wash to keep them a good colour.

The half load programme is also useful, if you cannot make up a full load of cottons and linens.

For biological stains e.g. egg, blood, grass, don't forget the superwash programme.

Loading the clothes

Open the drum loading door by pushing the door release button (Figure 3). Put the sorted articles into the drum one by one, shaking them out first.

Alternate large and small items.

Be sure all pockets are empty, buttons and zips fastened. Avoid washing frayed or torn articles, or treat stains such as paint, ink, rust and grass before washing (see page 23). Once the machine is loaded close the door firmly. Then put the washing powder and conditioner (if required) into the dispenser.

Choosing the right washing powder

Always use a low lather powder. This is important as too much lather prevents the articles from tumbling freely and being properly cleaned. **New System Persil Automatic** is specially designed to complement the cleaning action of the machine.

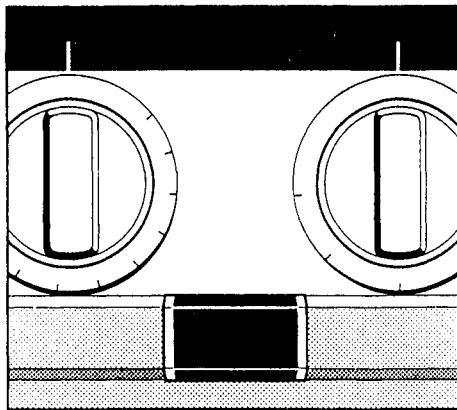
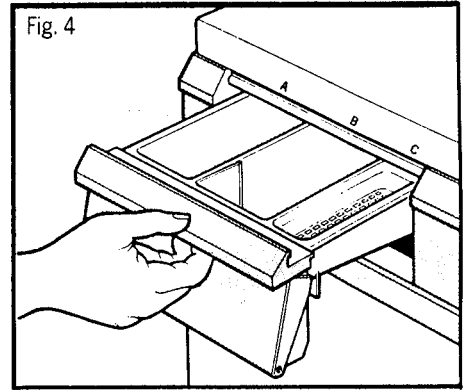


Fig. 3

Filling with washing powder

The detergent dispenser has three compartments (Figure 4). Compartment "a" is for the prewash powder, "b" for the main wash powder, and "c" for fabric conditioner. The same type of wash powder can be used for the pre and main wash cycles. Pull out the dispenser by pressing the spring loaded front and pulling on the lip of the drawer and add the measured amount of powder, following the directions on the wash powder packet (see also Table on page 18). Be sure to use enough powder - this is essential to get clothes really clean. Once the dispenser is filled, close it by pushing it in gently. This is particularly important if you are using a fabric conditioner because if the drawer is slammed it will cause the conditioner to enter the machine prematurely.



Amount of wash powder in grammes for a full load.

Hardness Pre-wash Main wash Main wash following pre-wash

Soft	30	120	130
Average	60	135	160
Hard	90	185	230
Very Hard	125	235	270

For half loads use half quantity.

For information regarding the degree of hardness of water in your area, ask the local Water Authority.

Using fabric conditioners

When you want to use a conditioner, put the measured amount (follow manufacturer's instructions) into compartment "c" in the washing powder dispenser at the same time as you put in the washing powder. **Be careful not to fill the compartment above the level of the filter.** The conditioner will be automatically used by the machine at the appropriate time. Remember to close the drawer gently (see opposite page).

To start the machine

Check that:

the mains switch is on and the machine is plugged in;

the door is properly closed;

the water is turned on.

Select the programme required by pushing in the central grip and turning the programme selector dial clockwise to the required letter. Next set the Economy Control dial. Pull out the central grip. The indicator light will then come on and the machine will start. The machine will automatically carry out all the operations up to the end of the chosen programme. Then it will stop. The indicator light will go out automatically after the washing programme has finished.

If, after the start of a programme, you find you have selected the wrong one, push the central grip in to stop the machine. Then turn the dial clockwise to the correct position and pull the knob out to restart the washing cycle.

At the end of the cycle push the central grip in to switch the machine off and return the Economy Control dial to the park position (95°).

Unloading the clothes

The drum door remains automatically locked for 1-2 minutes after the machine has been switched off. You can then open the door and unload the machine. **If you have been using a delicate wash cycle do not forget to set the machine to drain the water (programme T or U) before opening the door.**

Additional programmes

Half-load programme

Use this for smaller loads of cotton and linen items - 2.25kg (5lb) max. Press in button marked 1/2 load, then select the appropriate programme. Do not, however, use any of the gentle action programmes as these need a higher water level, than is allowed for the half-load programme. See pages 9-10.

Special treatments

This programme can be used to remove water from hand washed articles or any laundry which may have got wet but does not need washing. For example, washing left on the line during a rainstorm. See pages 12 and 14.

If you want to treat an article with fabric conditioner without washing it first, you can do this on either programme H or S.

After the wash

When the washing programme has finished, always switch off the machine and any selector buttons used will automatically be cancelled. You should always switch off the power supply at the wall socket and turn off the stop cocks.

Rotate drum after removal of washing to ensure that small articles have not been overlooked. Finally, wipe the rubber door seal dry.

Looking after your machine

Important: Make sure that the machine is unplugged and the water taps turned off before undertaking any kind of maintenance.

General care and cleaning

After each wash leave the door ajar for about two hours, to allow air to circulate freely inside the drum.

Wipe round the rubber door seal to remove the water which collects in it.

From time to time clean plated, polished and plastic parts and the glass porthole door inside and outside with a soft damp cloth. Never use abrasive powders.

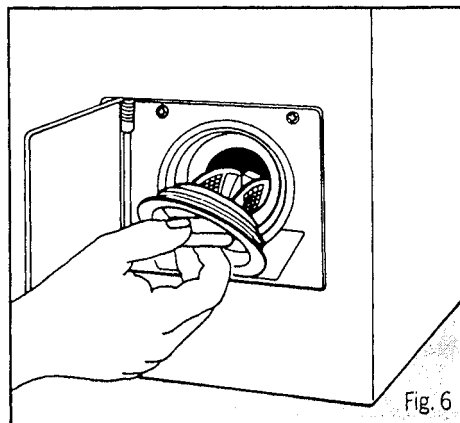
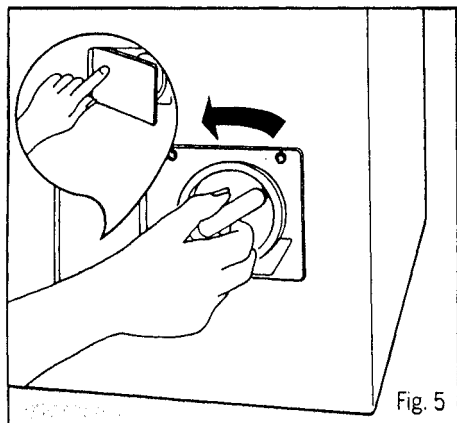
Wipe over the exterior cabinet with a luke-warm solution of mild liquid cleaner, rinse and dry thoroughly. From time to time, apply a little wax furniture cream with soft cloth.

Pump Filter

Your Electrolux washing machine is fitted with a special filter designed to trap fluff, lint and any other small objects inadvertently left in the washload, so protecting the discharge pump. This filter is located behind the small hinged flap, situated at the bottom right hand side of your washing machine, and should be cleaned from time to time.

To get at the filter, open the small flap door (Figure 5).

To remove the filter, unscrew in an anti-clockwise direction (Figure 5), pull out the small extractable gutter under the filter cover, and withdraw the filter from its tube (Figure 6). Remove any objects or fluff, rinse the filter under a tap, and replace in the machine (Figure 6).



Looking after your machine

Cleaning inlet filters

These are situated at the back of the machine and should be inspected from time to time. Unscrew the hoses and remove the mesh filter lodged just inside the hose. Run them under a fast running tap to remove any sediment. Replace the wire filters and the hoses firmly.

Cleaning the washing powder dispenser.

Wipe it out after every wash.

From time to time it will need more thorough cleaning to clear out all the deposit. Remove the drawer completely with a sharp pull outwards. When you replace it, if you find that it doesn't slide right in again, give it a sharp tap with the palm of your hand.

Helpful tips for successful washing

Here are some practical hints to help you get the best washing results.

Don't overload the machine. The clothes will not move round freely if there are too many of them and the washing powder may not dissolve properly.

Always use a low suds washing powder specially made for front loading machines. Excessive foaming gives an unsatisfactory wash and may even harm the machine. The quantity of washing powder required depends on the amount of laundry and how soiled it is. It may therefore be necessary to vary the quantities suggested on page 18. You will be able to tell if you need to do this when you are used to the machine.

Don't put washing powder into the dispenser until just before starting a programme. If the powder is left for any length of time in the dispenser it may form lumps which are difficult to dissolve.

For best results do not wash more than 1kg (2lb) of woollen articles at a time.

Wash only woollen articles marked "machine washable".

For best results do not wash more than 1.5 - 2kg (3-5lb) of synthetic fabrics in one load. Synthetic fabrics need plenty of room to move around or they tend to crease.

Clothes should be sorted according to the fabric - colour fastness and degree of soiling (see page 15).

Mend open seams and tears before washing.

Close zips, secure buttons.

Collect laces, washable belts etc and put them in a bag for washing.

Empty pockets. **(This is important as should a coin become lodged between the tub and drum it can cause extensive damage).** See final paragraph page 24 under "If the machine vibrates badly, or is too noisy".

Remove spots of rust, paint, ink and grass stains before washing (see instructions page 23).

Don't wash light coloured fabrics with dark ones. One may leave specks of fluff on the other.

Don't risk washing coloured articles unless you are sure they are colourfast. It's worth hand washing the article to find out.

Nappies

Leave the soiled nappies soaking in a solution of proprietary nappy cleaner. When there are sufficient for a wash, drain off the water (this is advisable as some nappy cleansers have an adverse effect on the rubber door seal), then transfer the nappies to the washing machine. Set the selector dial to J (fast spin) to remove the excess solution. Then wash the nappies on programme C (whites). Dry and air them thoroughly.

Blankets

Only wash blankets which are labelled as suitable for machine washing. Use wash programme Q (Woolens with a short spin which will remove the excess water and leave the blanket ready to tumble dry or hang out on a line).

Curtains

Check that the fabric is washable. Remove all the curtain hooks and if the heading is drawn up by means of curtain tape, release the string to allow the fabric to spread flat. Weigh the curtains and decide if you can wash them in one or more loads. Select the correct programme for the fabric. If the curtains have not been washed for some time they may be dusty, in which case it is a good idea to rinse them on programme G or S according to the fabric. After draining, start the suitable wash programme.

Helpful tips for successful washing

Dyeing

You can dye fabrics successfully in the machine but it is essential to buy a good proprietary dye and to read the manufacturer's instructions carefully. Make sure that the fabric is suitable. The dye instructions will guide you on this point. Then wash the article to make sure it is thoroughly clean, using programme C or L according to the fabric. Then follow the instructions for machine dyeing, supplied with the dye.

Immediately after you have removed the dyed material from the machine, set it to programme F (without adding washing powder to the dispenser) to clean all traces of dye from the machine.

Stain removal

Some stains will not be removed in the wash. It is wise to treat them before laundering.

The following are simple but effective treatments to use on any washable fabric. Treat the stain as soon as possible and launder afterwards to remove any residual stain.

Ballpoint and felt-tip ink:

Dab with white spirit on cotton wool (not on acetate or triacetate fabric).

Fountain pen ink:

Sponge with cold water to flush out as much ink as possible, or hold the fabric under running cold water. Launder and treat any remaining stains with lemon juice.

Grass stains:

Dab with white spirit (not on acetate or triacetate). Rinse in clear water.

Oil:

If heavy stains from cycle or car oil do not come out in the wash, treat them with a proprietary grease solvent.

Paint: Emulsion:

Sponge immediately with cold water and then launder. If the stain has dried, soften it with methylated spirit or a proprietary paint brush cleaner. (Test an inconspicuous corner of the fabric first).

Gloss:

Dab with white spirit or proprietary paint brush cleaner. (Test fabric first).

Rust (Iron mould):

Rub with lemon juice and then sprinkle salt over the stain and leave for an hour. If subsequent washing does not remove the stain, use a proprietary rust cleaner following manufacturer's directions.

When using stain removers, always read the instructions carefully and work in a well ventilated room. First test on a hidden area of the item that the dye or fabric is not affected.

Never leave stain removers within reach of children, never smoke while using the remover and never use near a naked flame.

Servicing

If, having followed these instructions carefully, your machine fails to work properly contact your local Electrolux Service Centre. Before you do that, though, it is worth making a few simple checks yourself.

If the machine won't start ...

Ensure that the programme control knob on the machine is pulled out into the "on" position.

Make sure that the door of the machine is firmly shut.

Make sure that the appliance is properly plugged in and that the socket switch (if any) is in the "on" position.

Check that there is power at the socket by plugging in an appliance you know to be working - a small lamp, for example. If this too fails to work, check the main circuit fuses in your home's consumer unit or main fuse box.

If the machine won't fill ...

Make sure the supply hoses are not sharply bent.

Make sure taps and stop-cocks are turned on.

Check that there is sufficient water pressure.

If you are using programmes C or L ensure that the programme selector dial is lined up with the appropriate dash (') - see page for details.

If the machine won't drain or spin ...

Check that the drain hose is not bent, blocked, or obstructed in some other way, and also check the filter for fluff, etc.

If the machine empties as it fills ...

Make sure the end of the drain hose is not less than 50cm (20in) above floor level.

If the machine vibrates badly, or is too noisy ...

Check that the machine is absolutely level.

Check that there is sufficient clearance between the machine and nearby wall, furniture, etc.

Check that all the internal packing, plastic spacers and transit security bolts have been removed as described at the start of these instructions.

Failure to observe these checks could result in your being charged for the service call when requested.

Warning:
Do not attempt to repair the washing machine yourself. Repairs carried out by unauthorised or inexperienced persons might cause injury and more serious malfunctioning.

Cautionary Notes

1) It is very important to follow carefully each garment manufacturer's washing and drying instructions.

2) Woollen garments and those manufactured from synthetic/wool mixtures should always be dried to the garment manufacturer's instructions which usually state that they should be gently pulled into shape and dried on a flat surface.

3) Children have been known to climb into unattended washing machines when not in use. Always remove the plug or switch off at the socket outlet.

SERVICE CENTRES

SOUTHERN DIVISION

Bristol 0272 211876
Cardiff 0222 460131
Aldershot 0252 24505
Brighton 0273 694341
Canvey Island 0268 694144
Newton Abbot 0626 65909
Portsmouth 0705 667411
Tonbridge 0732 357722

LONDON & EASTERN DIVISION

Luton 0582 575966
Norwich 0603 667017
London (North) 01 884 2284
London (South) 01 658 9069
London (West) 01 965 9699
Oxford 0993 4411

NORTHERN DIVISION

Birmingham 021 358 7076
Gateshead 091 460 0440
Manchester 061 798 9689
Leeds 0532 608511
Leicester 0533 515131
Liverpool 051 220 8014
Belfast 0232 740 296
Glasgow 041 647 4381
Edinburgh 031 229 1232
Aberdeen 0224 696569



Guarantee

This Guarantee is offered to you as an extra benefit and does not affect your legal rights.

Electrolux products are carefully designed, manufactured, tested and inspected and in consequence we undertake to replace or repair any part found to be defective in material or workmanship, within one year of delivery to the original purchaser, free of charge.

ADDITIONALLY, DURING THE SUBSEQUENT FOUR YEARS, ANY DEFECTIVE PARTS WILL BE REPLACED FREE - LABOUR COSTS ONLY BEING CHARGEABLE.

This Guarantee is conditional upon service at all times being carried out by an Electrolux Service representative or an authorised agent, and the appliance having been correctly installed and used in accordance with the Company's instructions under normal domestic conditions within the United Kingdom or the Republic of Ireland. It may be invalidated by unauthorised repair or modification of the appliance.

The Company does not accept liability for defects arising from neglect, misuse, or accident.

Proof of the date of purchase will be required before service under guarantee is provided. Telephone numbers for service requests are listed on page 25.

WASHING MACHINE WH838 - A LUX MODEL, MADE IN ITALY

This appliance conforms with the requirements of
EEC Directive No. 82/499 relating to radio interference.

In accordance with its policy of progressive product design
the Company reserves the right to alter specifications.



©Electrolux Ltd.

Publication No. 8222334 8/88 Issue 1

ELECTROLUX LTD., LUTON, BEDS.
_U4 9QQ Printed in England